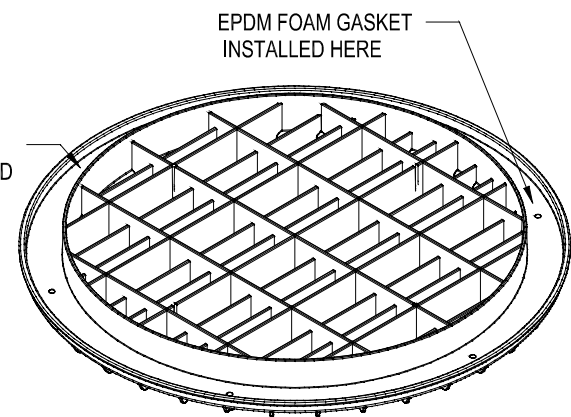
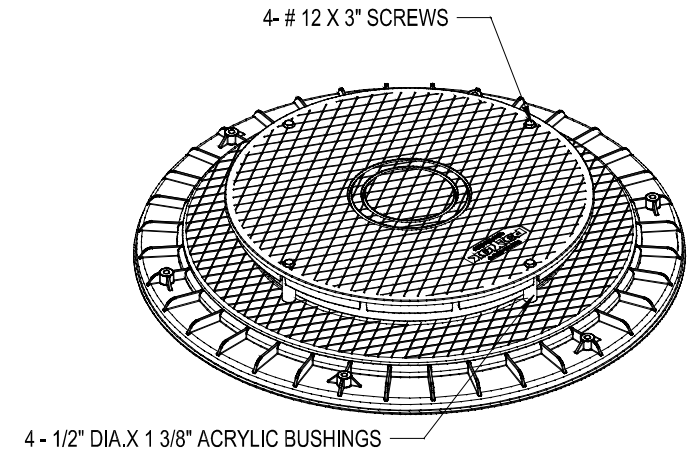
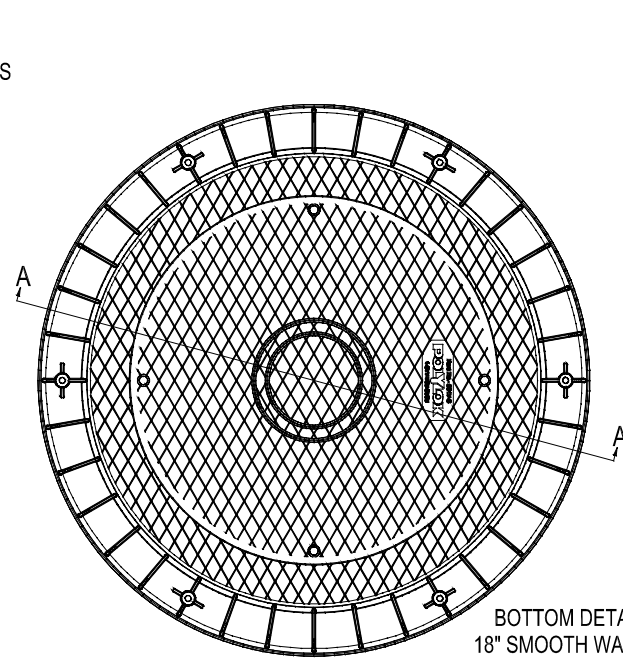
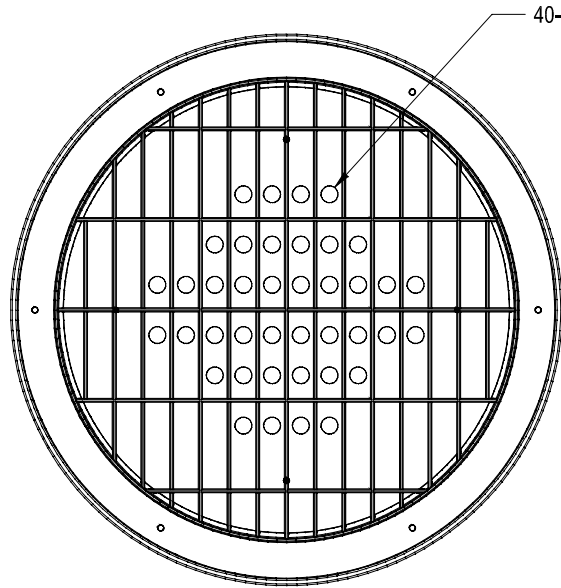
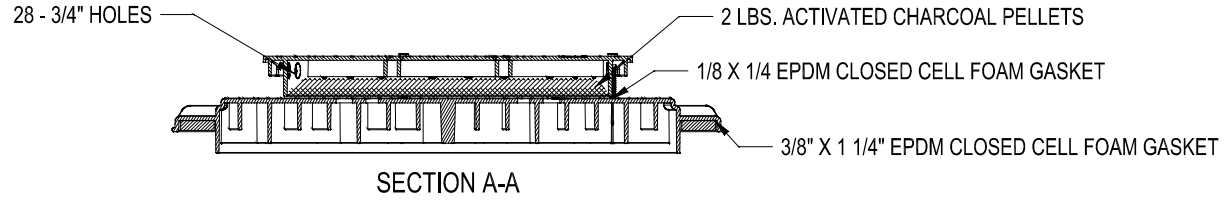


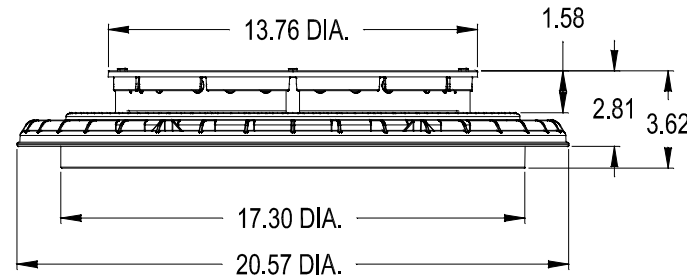
**CHARCOAL COVER SPECIFICATIONS:**

ASSEMBLY CONSISTING OF;

- 1- 3007-HDC 18" COVER
- 1 - 3017-C12 12" COVER
- 4- ACRYLIC BUSHINGS
- 4- #12 X3" SCREWS
- 2- PIECES OF 1/16" FIBERGLASS SCREENING
- 2 LBS. ACTIVATED CARBON PELLETS



**POLYLOK 18" ACTIVATED CHARCOAL COVER**  
**PART NO. 3007-ACC**  
**MATERIAL - HDPE**  
**COLOR - GREEN**



BOTTOM DETAIL FITS ALL  
 18" SMOOTH WALL CORRUGATED  
 AND RIBBED PIPE