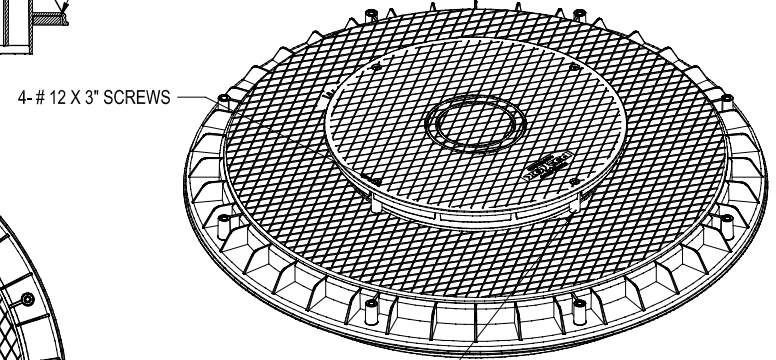
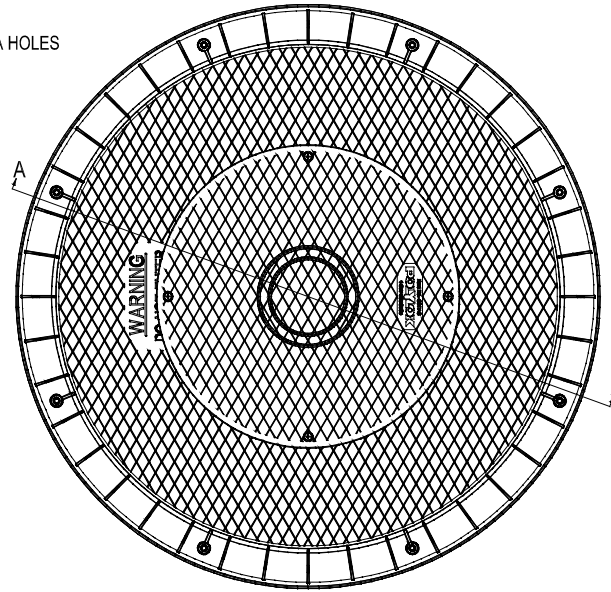
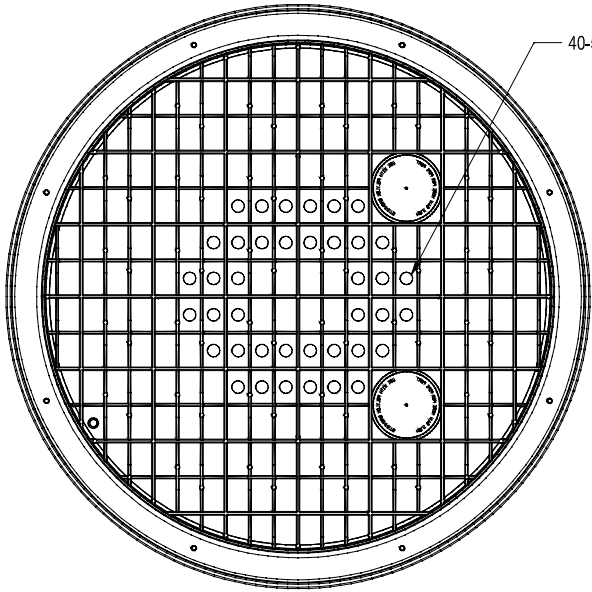
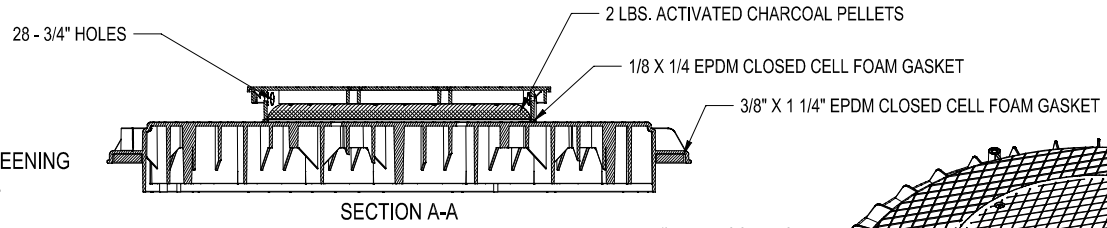


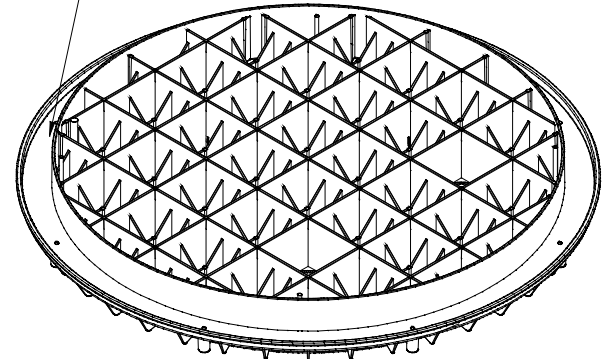
CHARCOAL COVER SPECIFICATIONS:

ASSEMBLY CONSISTING OF;

- 1- 3008-HD 24" COVER
- 1- 3017-C12 12" COVER
- 4- ACRYLIC BUSHINGS
- 4- #12 X3" SCREWS
- 2- PIECES OF 1/16" FIBERGLASS SCREENING
- 2 LBS. ACTIVATED CARBON PELLETS



BOTTOM DETAIL FITS POLYLOK
 PART NO. - 3008
 3008-R12
 3008-R12B
 3009-AR
 3009-RTR24
 3008-RP
 AND ALL 24" SMOOTH WALL
 CORRUGATED OR RIBBED PIPE



POLYLOK 24" ACTIVATED CHARCOAL COVER
 PART NO. 3008-ACC
 MATERIAL - HDPE
 COLOR - GREEN

