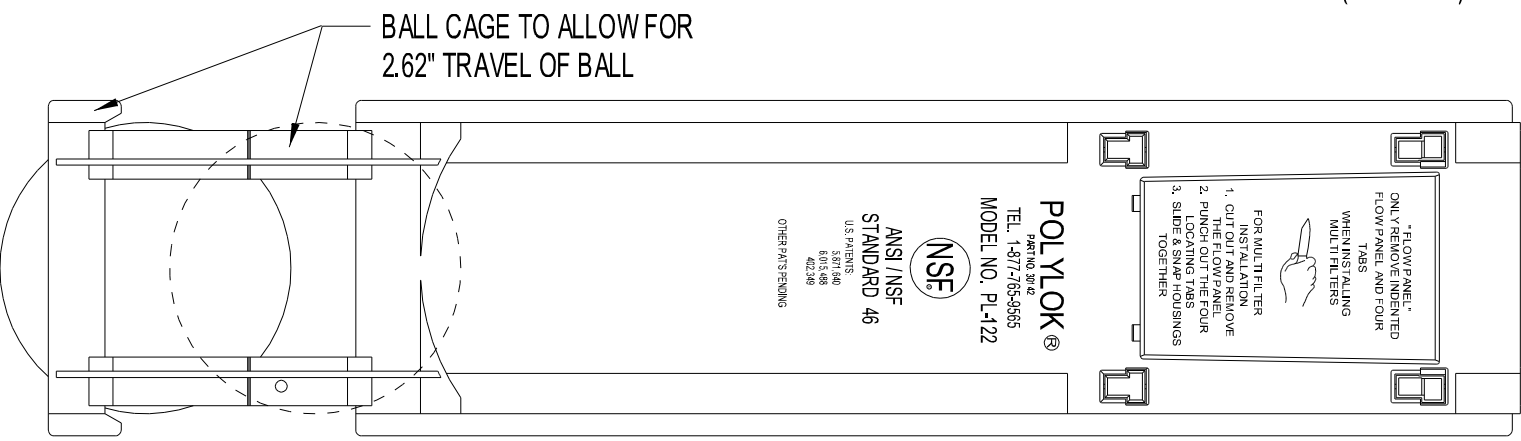
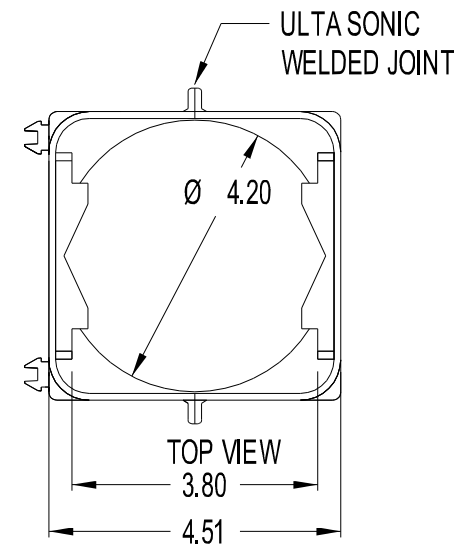


FRONT VIEW

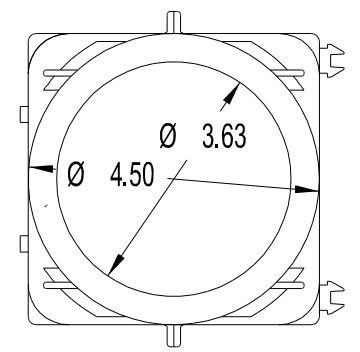
4 1/2" DIA. POLYETHYLENE
HERMETIC BALL

4 CLIPS TO RECEIVE PART NO.
30145 (PIPE ADAPTER)
30144 (B.R. ADAPTER)
30142 (HOUSING)



BACK VIEW

PL-122 HOUSING
PART NO. - 30142
MATERIAL - POLYPROPYLENE



BOTTOM VIEW