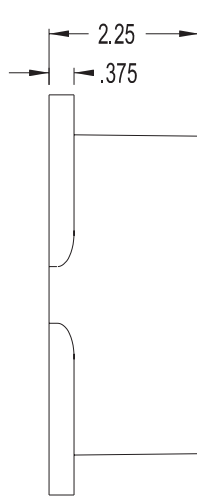


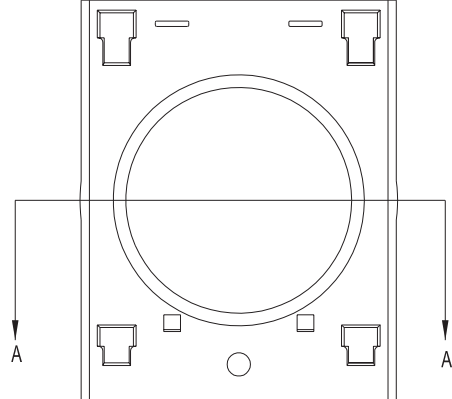
TOP VIEW

4 THRU HOLES TO ALLOW FOR
SNAP FIT ON PRT. # 30142

PL-122 PIPE ADAPTER
PART NO. - 30145
MATERIAL - ABS



SIDE VIEW

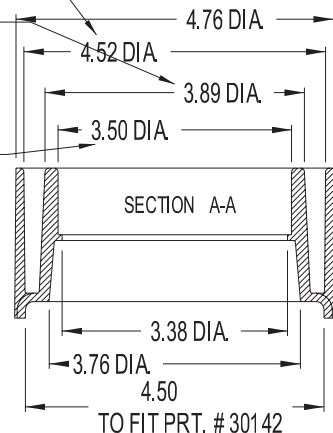


BOTTOM VIEW

TO SOLVENT WELD
4" SCHD. 40 PVC PIPE

TO SOLVENT WELD
4" SDR 35 PVC OR OTHER
4" THIN WALL PVC PIPE
(INTERNALLY)

TO SOLVENT WELD
3" SCHD. 40 PVC PIPE



TO FIT PRT. # 30142